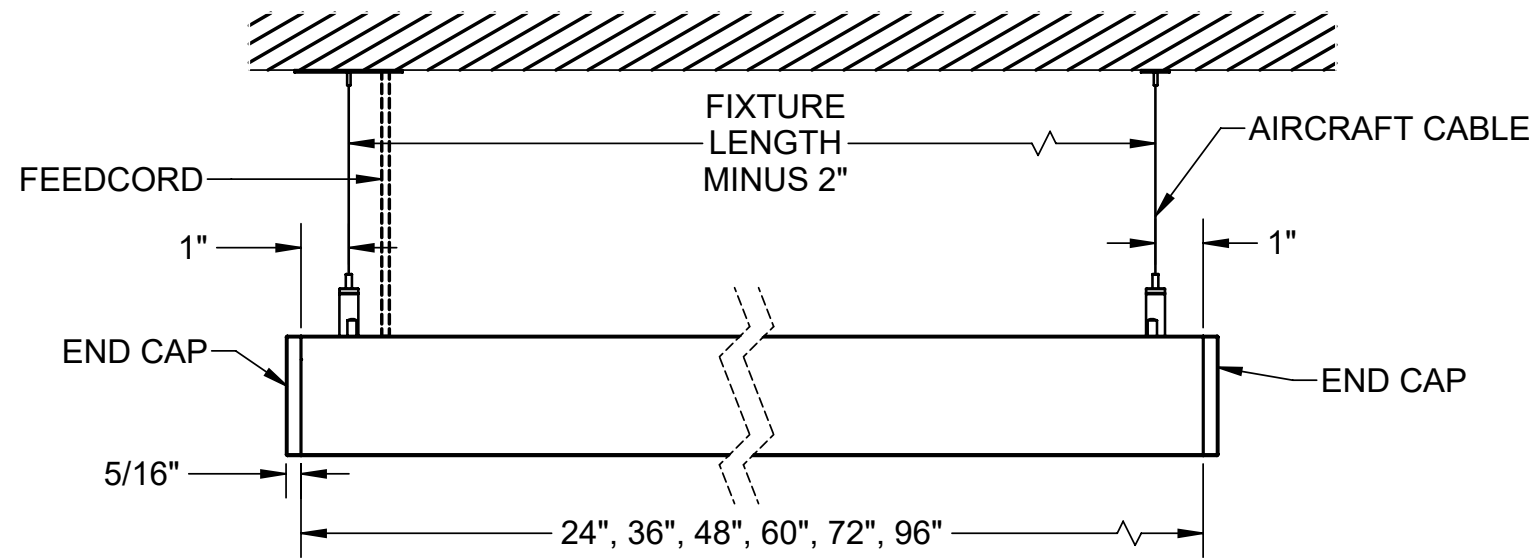
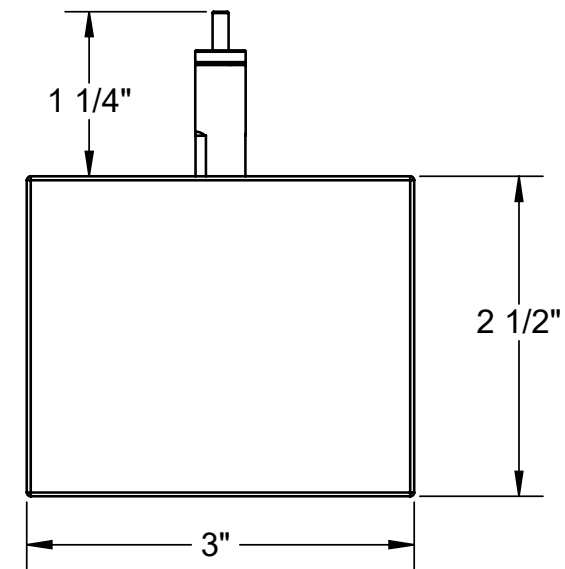


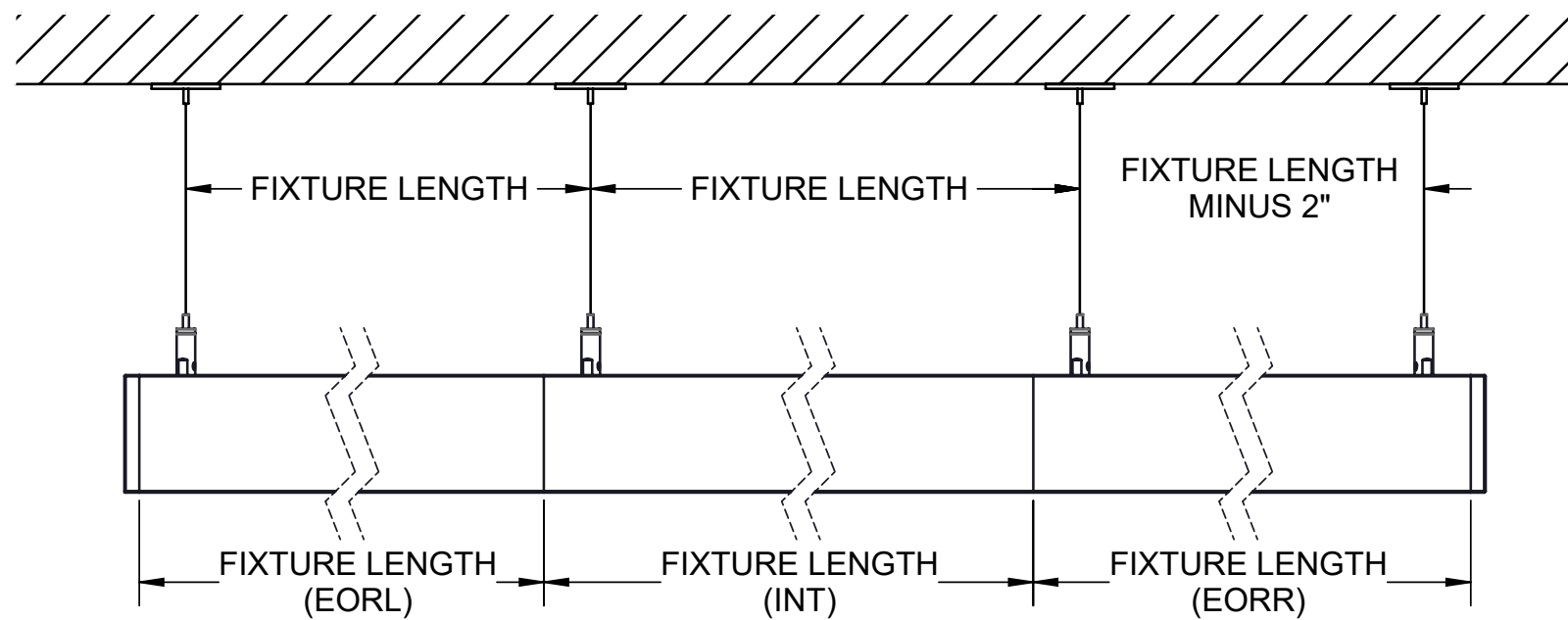
NOMENCLATURE
EORL: END OF ROW LEFT
INT: INTERMEDIATE
EORR: END OF ROW RIGHT
IND: INDIVIDUAL



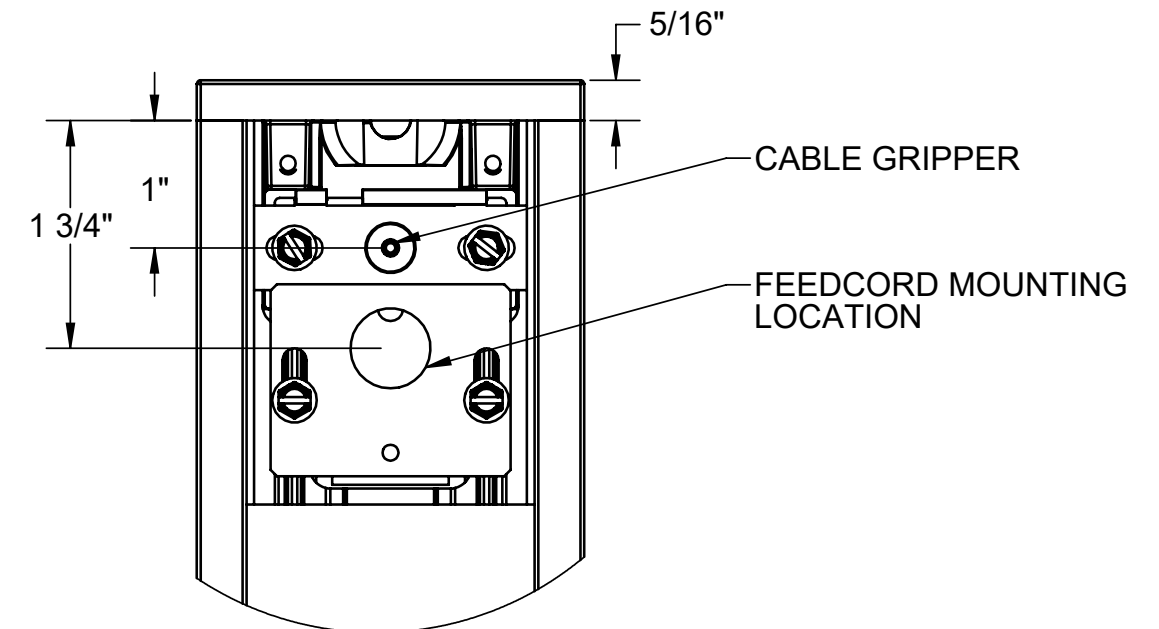
SIDE VIEW - INDIVIDUALLY MOUNTED



CROSS SECTION VIEW



SIDE VIEW - ROW MOUNTED



PLAN VIEW

GENERAL NOTES: (READ SHEETS COMPLETELY BEFORE STARTING)

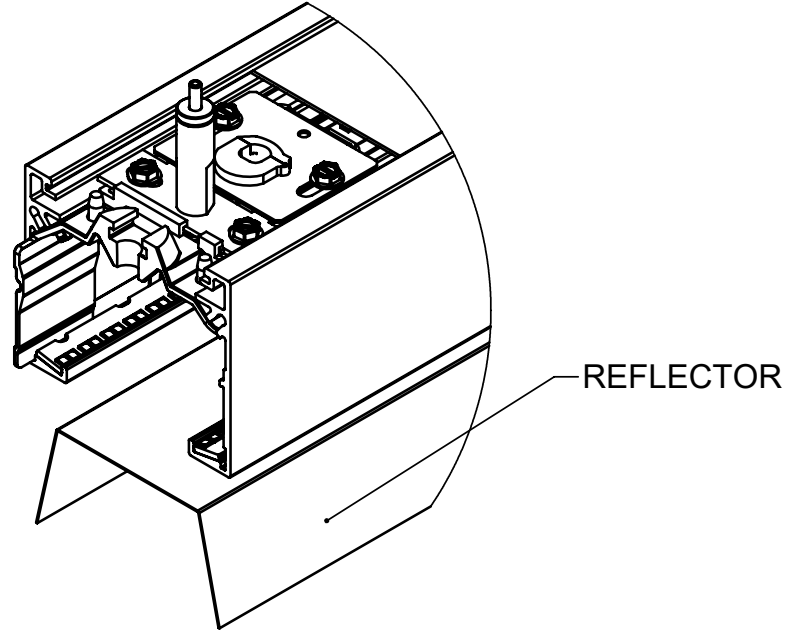
1. APPROXIMATE WEIGHT OF FIXTURE IS 2 LBS PER FOOT OF LENGTH.
2. FOR ROW JOINING, EVERY FIXTURE HAS A CABLE GRIPPER ON THE LEFT SIDE. EORR FIXTURES HAVE GRIPPERS ON BOTH SIDES.
3. EACH FIXTURE HAS ITS OWN FEEDCORD AND REMOTE ENCLOSURE. REFER TO SUPPLEMENTAL REMOTE ENCLOSURE INSTALLATION GUIDE, 93158666 AND 93158667. BE SURE TO READ THROUGH THE INSTRUCTIONS COMPLETELY BEFORE INSTALLING.

TOOLS REQUIRED

- 1/4" HEX DRIVER/DRILL
- 1/8" HEX KEY
- WIRE SNIPS

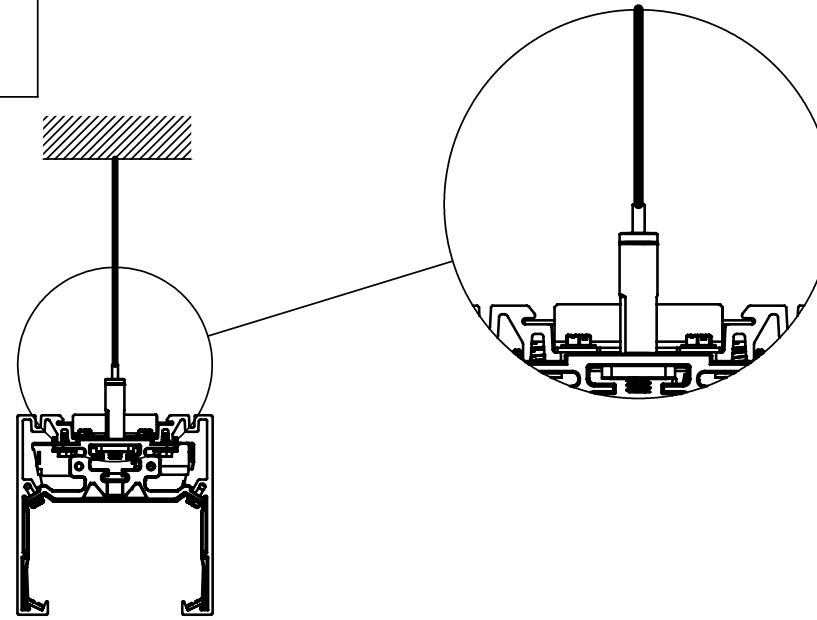
SUPPLIED BY INSTALLER

1



REMOVE REFLECTOR FROM ALL FIXTURES. **KEEP REFLECTOR INSIDE PROTECTIVE SLEEVE UNTIL READY TO REINSTALL REFLECTOR.**

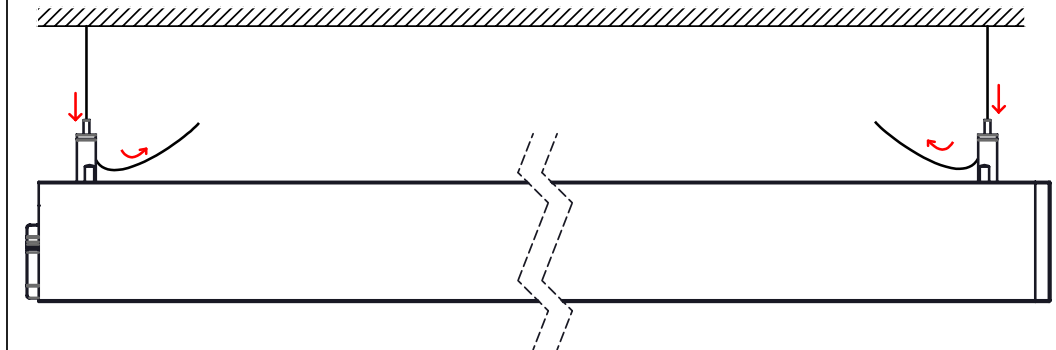
2



TO ATTACH AIRCRAFT CABLE, PUSH IN TOP OF GRIPPER AND INSERT CABLE. IF ROW JOINING, START WITH EORR FIXTURE.

NOTE: ENDCAP IS REMOVED FOR FULL VIEW OF GRIPPER.

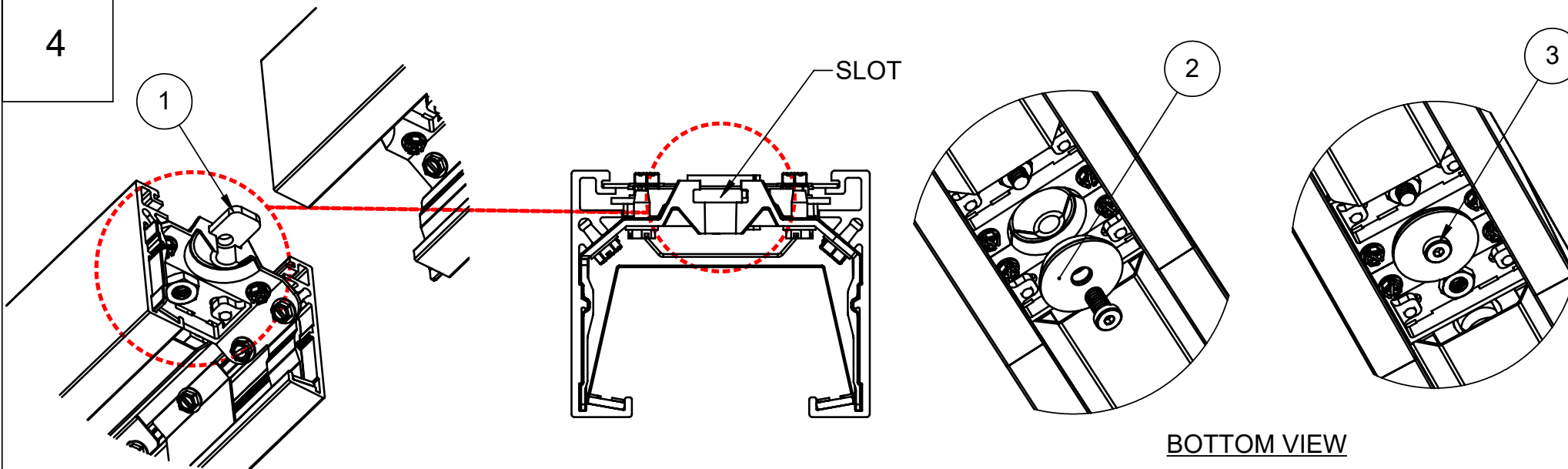
3



PULL EACH CABLE, ONE AT A TIME, WHILE SIMULTANEOUSLY HOLDING UP THE FIXTURE UNTIL LEVEL AT DESIRED HEIGHT. TO LET OUT CABLE PUSH IN TOP OF GRIPPER. LOOSEN SCREWS ON PLATE FOR SIDE TO SIDE ADJUSTMENT AS NEEDED AND RETIGHTEN. SNIP EXCESS WIRE.

IND FIXTURES HAVE BOTH ENDCAPS PREINSTALLED, INT FIXTURES HAVE NO ENDCAPS. EORL AND EORR HAVE ONE. SKIP TO STEP 5 IF HANGING AN IND FIXTURE.

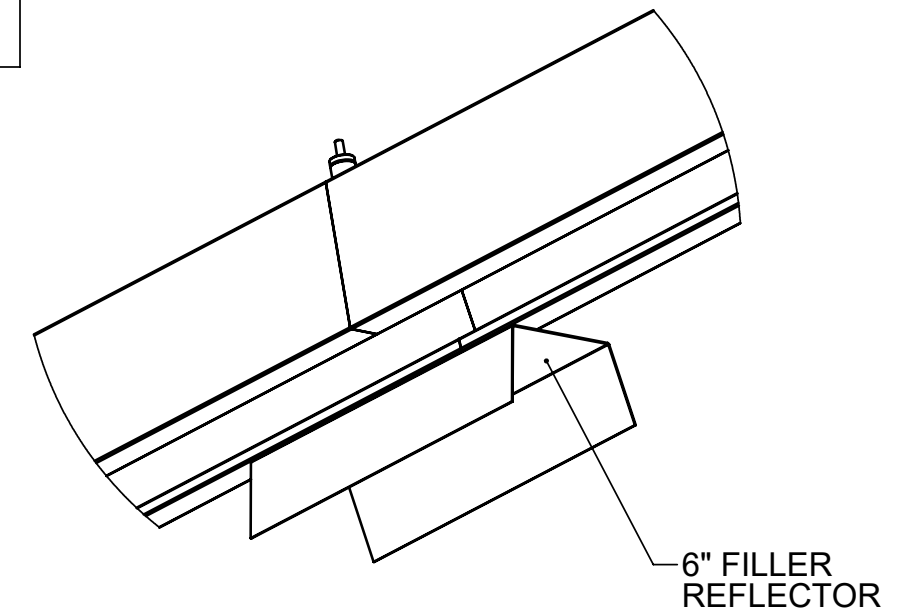
4



BOTTOM VIEW

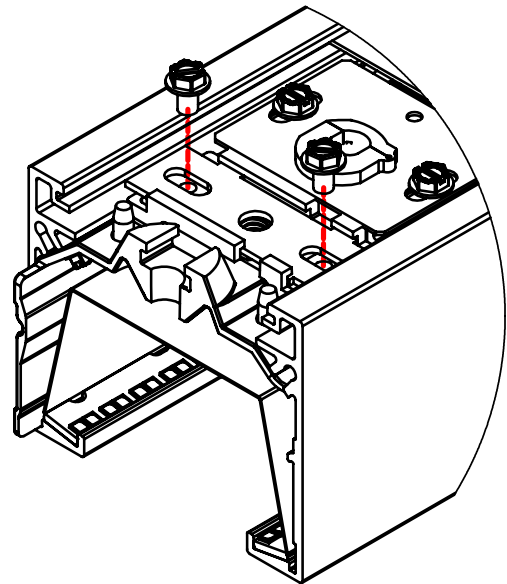
-ONCE EORR FIXTURE IS HUNG, HANG SECOND FIXTURE ON ONE SIDE WITH STEPS 1-3. REFER TO CABLE GRIPPER LAYOUT ON SHEET 1.
 -ONCE HUNG, ROW JOIN BY INSERTING FLAT STRAP PIECE (1) INTO SLOT IN END HEADER. CONNECT SECOND FIXTURE TO THE FIRST FIXTURE. FROM BELOW, INSERT WASHER (2) INTO GROOVE AND SECURE WITH SOCKET CAP SCREW (3) WITH 1/8" HEX KEY.
 -REPEAT UNTIL ALL FIXTURES IN THE ROW ARE HUNG.

5

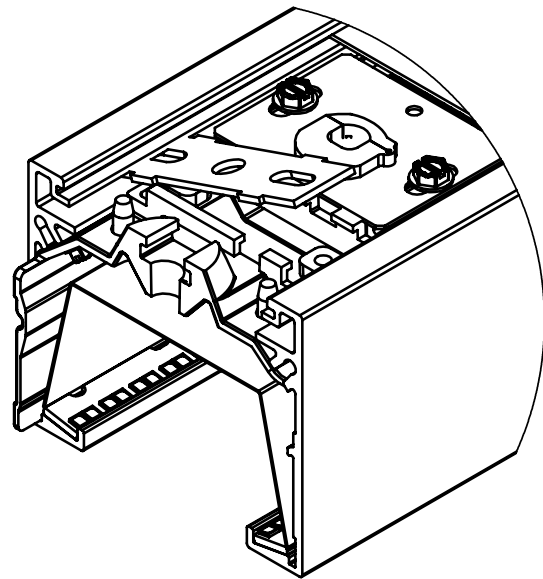


REMOVE REFLECTORS FROM PROTECTIVE SLEEVE AND IMMEDIATELY REINSTALL IN EACH FIXTURE. AT EACH ROW JOINING LOCATION, INSTALL 6" FILLER REFLECTOR, IF APPLICABLE.

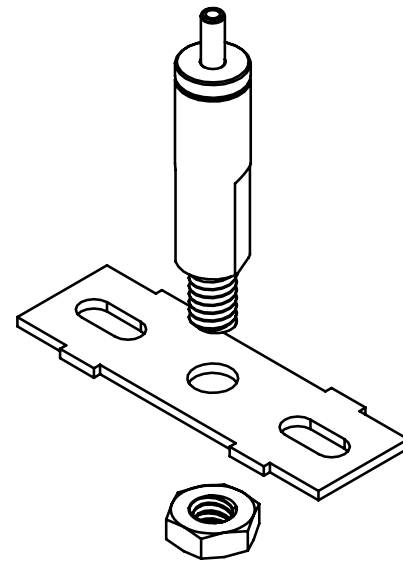
**CABLE GRIPPER
INSTALL**



REMOVE TWO SCREWS FROM GRIPPER PLATE WITH 1/4" SOCKET HEAD

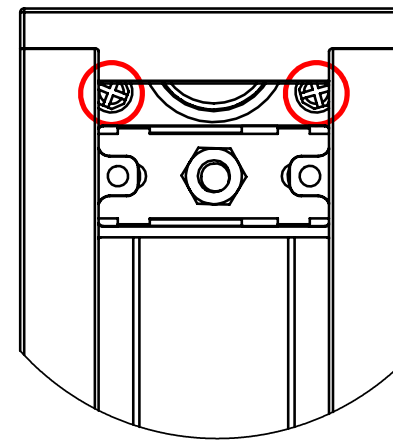


SLIDE PLATE TO THE LEFT UNTIL GROOVES ON PLATE ARE IN OPEN CHANNELS ON THE END HEADER. REMOVE PLATE AT AN ANGLE.

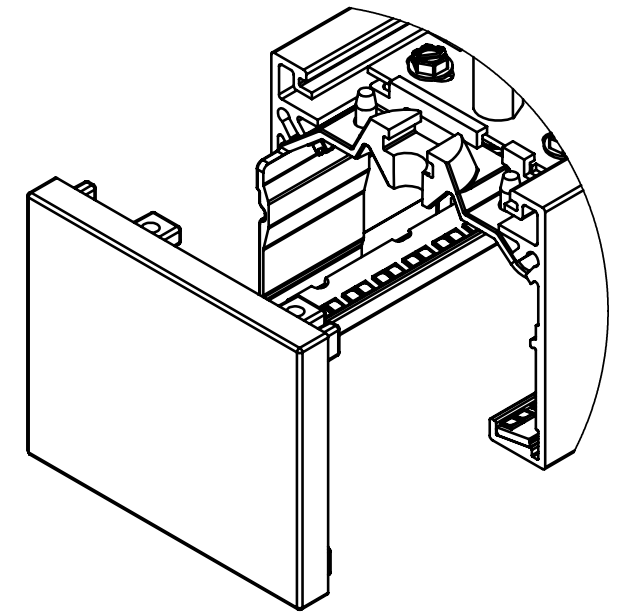


INSERT GRIPPER INTO PLATE AND SECURE WITH PROVIDED NUT. TO REINSTALL FOLLOW FIRST TWO STEPS IN REVERSE ORDER.

**END CAP
INSTALL**



WITH THE REFLECTOR REMOVED, REMOVE THE TWO 1/4" HEX SCREWS FROM INSIDE THE FIXTURE.



PULL END CAP AWAY FROM FIXTURE TO REMOVE. TO REPLACE ENDCAP FOLLOW IN REVERSE ORDER AND HOLD THE ENDCAP TIGHT TO FIXTURE WHILE SCREWING IN.

**FEEDCORD
INSTALL**

REMOVE WIRE COVER TO ACCESS INTERNAL WIRING. CLAMP STRAIN RELIEF BUSHING ONTO FEEDCORD AND INSERT BUSHING INTO 5/8" HOLE IN WIRE COVER (AFTER REMOVING KNOCKOUT). MAKE CONNECTIONS TO FIXTURE BY REFERING TO WIRING DIAGRAM SHOWN. REINSTALL WIRE COVER.

NOTE: WIRING DIAGRAM SHOWN IS FOR STANDARD UPLIGHT/DOWNLIGHT OPTION. SOLID WIRES FOR DOWNLIGHT, STRIPED FOR UPLIGHT. FOR SPECTRASYNCH, ADDITIONAL FEED CORD WOULD BE INSTALLED ON OTHER END. FOLLOW WIRING DIAGRAM FOR CH2 WIRING. ONE FEEDCORD FOR DOWNLIGHT AND THE OTHER FOR UPLIGHT. SOLID AND STRIPED BECOME CH1 AND CH2 RESPECTIVELY.

